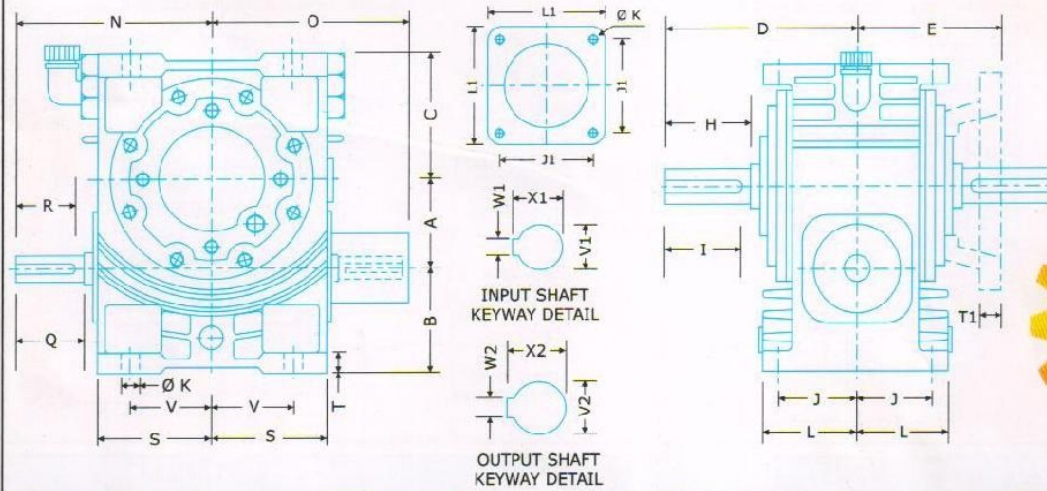
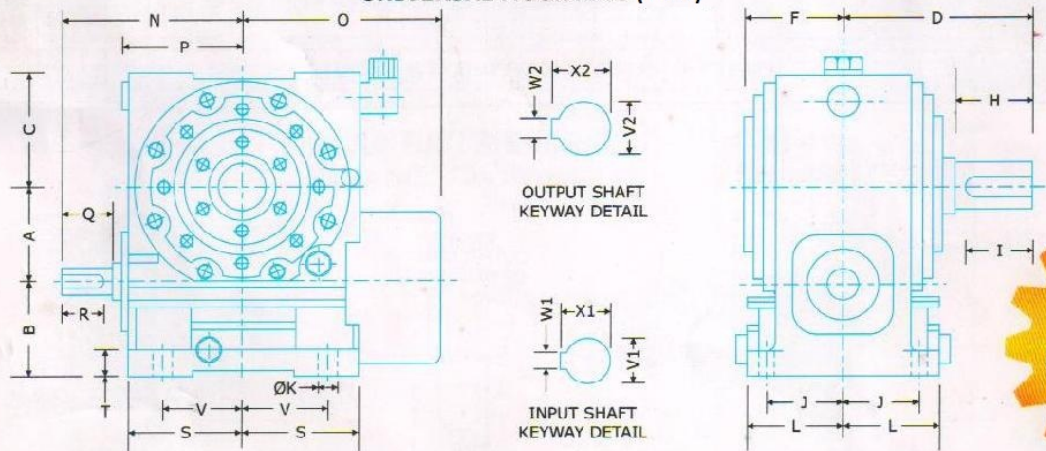


UNIVERSAL MOUNTING (DU)



E	OVERALL DETAILS						FIXING DETAILS						SHAFT DETAILS													
	A	B	C	D	E	N	O	J	K	L	V	S	T	L1	J1	T1	Q	R	X1	W1	V1	H	I	X2	W2	V2
2.25	57.15	70	85	136	100	142	142	52.5	11	66	52.5	76	14	120	150	14	50	45	25	6	22	60	55	29	8	25
3.0	76.2	96	105	152	125	165	165	80	14	97.5	70	92.5	20	200	240	16	50	45	29	8	25	75	70	42	8	38

UNIVERSAL MOUNTING (DU-U)



SIZE	OVERALL DETAILS								FIXING DETAILS						SHAFT DETAILS									
	A	B	C	D	F	N	O	P	J	K	L	V	S	T	Q	R	X1	W1	V1	H	I	X2	W2	V2
3.5	88.9	105	110	200	105	200	210	130	97	18	120	119	142	22	65	60	29	8	25	90	85	45	10	40
4.0	101.6	108	120.4	215	110.5	208.5	217	137.5	80	18	100	90	125	25	60	58	40	10	35	90	85	50	10	45
5.0	127	118	145	247	127.5	238.5	254.5	168.5	105	20	127.5	123	153.5	30	60	58	40	10	35	100	95	57	14	50
6.0	152.4	127	175.6	253	117	280.5	280.5	192.5	120.5	23	151	133	177.5	33	75	72	43	10	38	110	104	66	16	58
7.0	177.8	146	200.2	237	160	311	345	222	133	23	170	153	200	36	82	79	43.5	12	40	130	127	69.5	18	65
8.0	203.2	146	224.8	312	175	342	368	255	133	27	170	171.5	220	40	88	85	49	14	45	140	137	75	20	70



16
22

037-433333
E32100